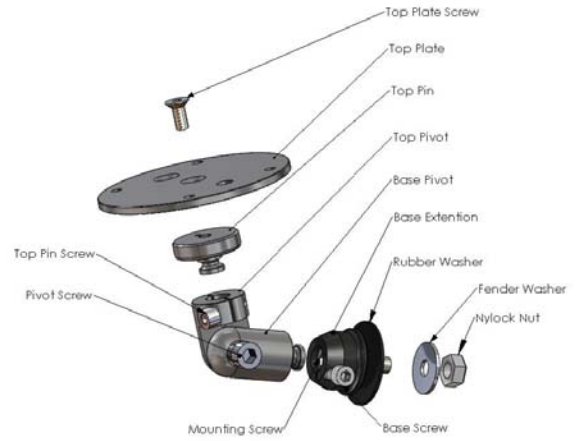


Basic (shown above)



Complete (shown above)

TechMount Part Number 3-21002

H-D Fairing Mount Instructions:

The H-D Fairing Mount is designed to securely attach electronic accessories to any flat surface. The mount is shipped fully assembled. The four (4) small holes in the top plate are the AMPs pattern found on many electronic accessories. The single ¼" (6mm) hole is used for mounting cameras with thumb screw mounting holes.

Step 1. Find the desired location for your mount and device on the inner fairing surface, left or right side, using the template provided. Remove the outer fairing shell (see service manual for this) to gain access from underneath the inner fairing so that the **Fender Washer and Locknut** can be installed.

Step 2. Remove the entire upper portion of the mount system by removing the **Base Screw** and lifting straight out. Now remove the **Mounting Screw** from the **Base Extension**. Place the drill template included in the instructions onto the fairing surface and drill the ¼" hole thru the inner fairing at your mounting location. **Note: Use drill template for this hole.**

Step 3. Now place the **Base Extension** and **Rubber Washer** in the desired mounting location on the dash and insert the **Mounting Screw** thru the **Base Extension, Rubber Washer** Fairing Surface. Install the **Fender Washer** and **Locknut** securely so there is no rotation in the **Base Extension**. Now re-install the outer fairing from step 1.

Step 4. With **Base Extension**, re-install the upper portion of the mount system. The upper section may be configured in two ways. Either "**Basic**" or "**Complete**", depending on your device requirements.

Step 5. Adjust the pivot angle by adjusting the **Pivot Screw** and adjust the rotation as needed by adjusting the **Base Screw**. To remove the entire upper section of the mount. Remove the **Base Screw** and lift straight out.

Step 6. The mount has a rotating top plate that can be installed either of the two mounting holes in the top plate. This allows for more flexibility in offset mounting. Decide if the top plate is mounted in a suitable mounting hole. If not remove the **Top Plate Screw** that holds it in place and re-install as necessary. Make sure the small pin in the top plate locates into the counter rotation hole in the **Top Pin**. To rotate the top plate assembly, loosen the **Top Pin Screw** and rotate the top plate to the desired position.

Step 6. With the mount secure, now install the device onto the top plate.

Note: The maximum weight of your mounted device should not exceed 2 lbs. (1 k). Remember to snug all fasteners prior to riding.