

1: Transponder (Professional installation is recommended)

It's very important to mount all transponders according to instructions. It is essential that all transponders have an unobstructed view of the road and therefore should not be mounted deep in the vehicle bodywork. They should be mounted pointing straight ahead, mounted level in the horizontal plane, and parallel to the road surface and driving direction. Please see illustration 5.

2: CPU Locate a suitable place for the CPU inside the cars interior.

DO NOT MOUNT IN THE ENGINE COMPARTMENT.
The CPU should not be exposed to high heat or moisture. Connect all Sensors to the CPU 1 – 4
Mount your CPU with easy access for software updates.
(OR connect a USB cable to the CPU for in-car software updates.)

3: Remote switch

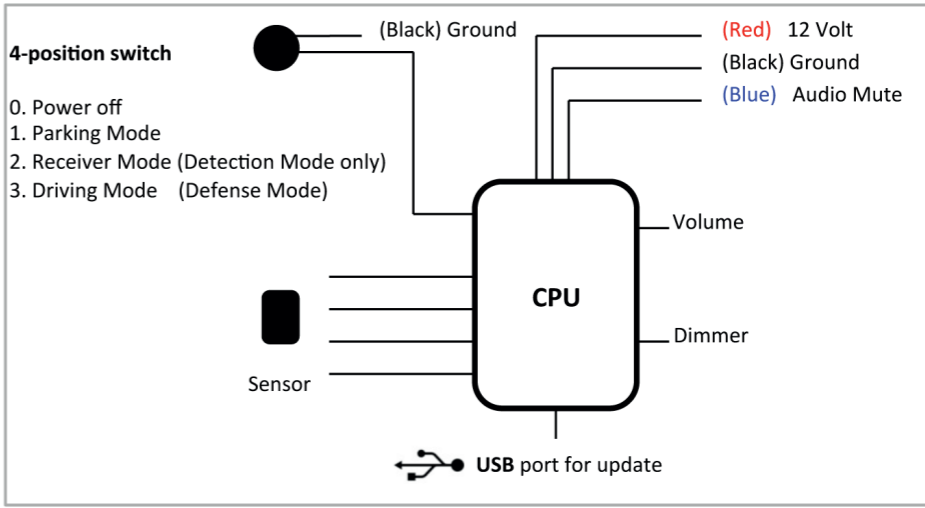
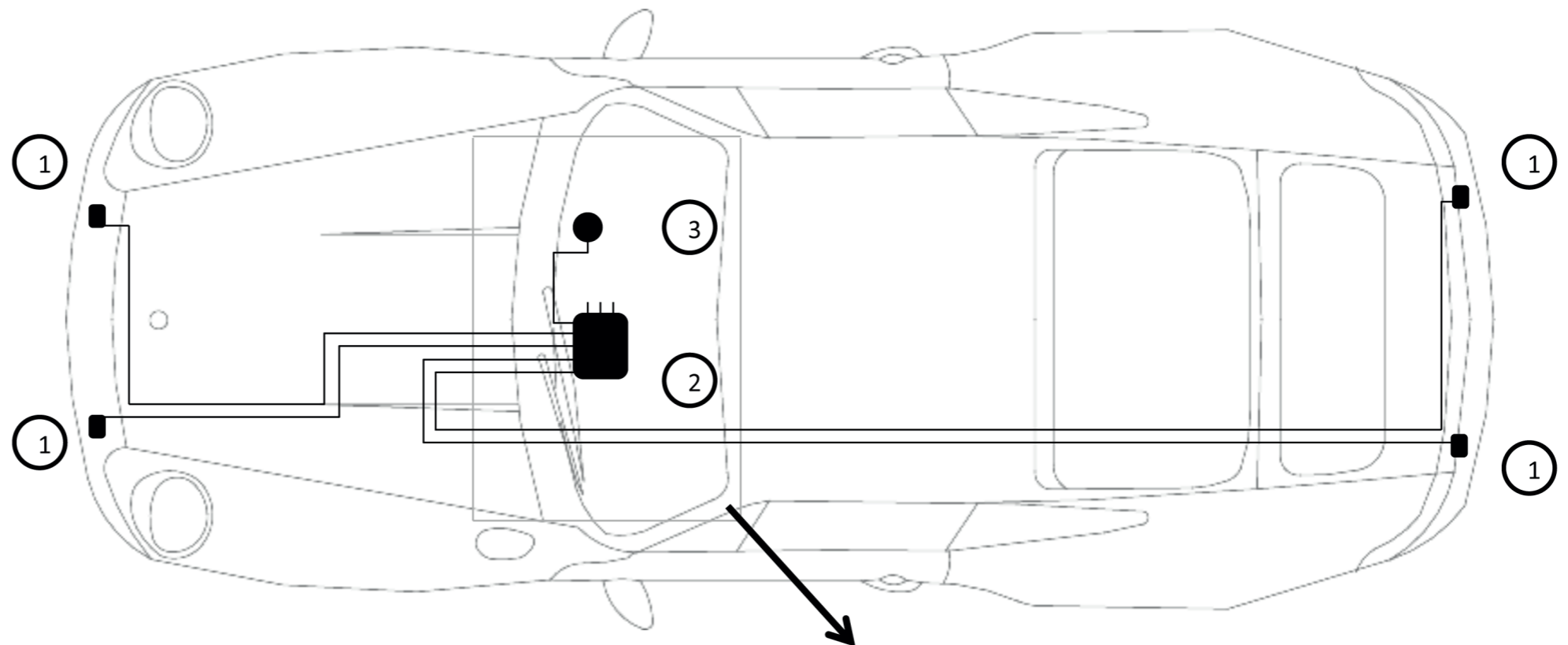
- 0 – Off
- 1 – Parking mode
- 2 – Receiver mode (Detection Mode only)
- 3 – Driving mode (Defense Mode)

Wire connections

Red cable, connect the red cable (+) to a solid switched 12-volt DC source.

Black cable to GROUND. Please ensure this cable connects to a negative (-) battery source or solid ground on the chassis, ie non coated metalwork etc.

Blue cable – Radio Mute – this is an optional fit and can be connected to the radio mute. In such instances the car radio will mute whenever the unit starts to alert. If not in use, insulate the end of the **BLUE** cable to avoid accidental grounding.



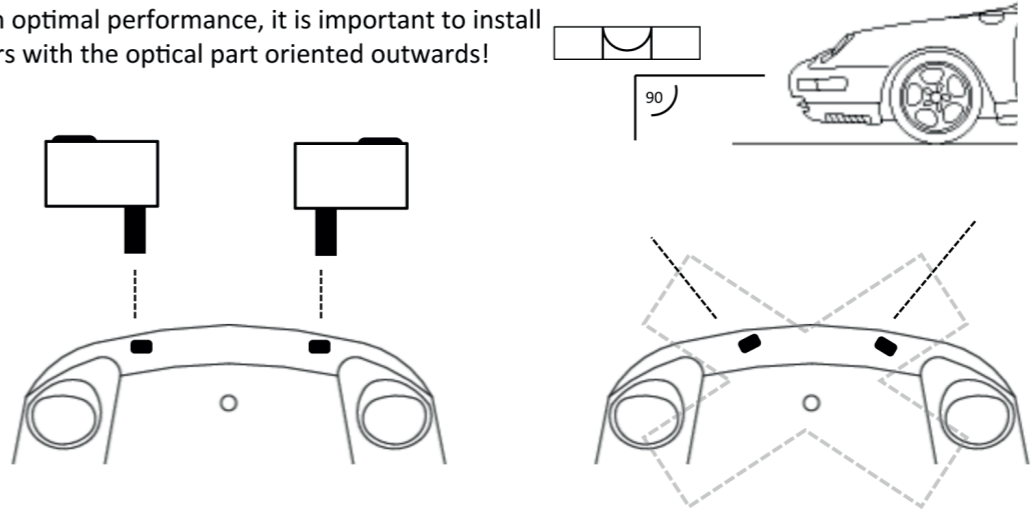
POSTAGE

BLINDER INTERNATIONAL
INDUSTRIVEJ 51F, TV.
DK-4000 ROSKILDE
DENMARK

Illustration 5:
Make sure the sensor is level (use spirit-level from the installation kit)

(Installation instructions may vary for some types of laser speed camera. Please see our website "Installation" page for details.)

To obtain optimal performance, it is important to install all sensors with the optical part oriented outwards!



Make your car invisible!

Important notes

Read This First

Please read both sides of the instructions before starting your installation.

It is strongly recommended that an Automotive specialist installs your HP-905 system

It is strongly recommended that a Automotive specialist installs your new BLINDER HP-905 Compact system.

Attempting to install this product without expertise in automotive electronics installation, can cause personal injury, or damage to your vehicle.

Improper installation may void BLINDER's warranty.

To obtain service during the warranty period, please contact your local BLINDER dealer.

PRODUCT REGISTRATION
 Important: This registration entitles you as the owner, to BLINDER Internationals 2 year warranty and free software updates at www.blinder.dk

PRODUCT REGISTRATION

Name _____

Address _____

City _____

Country _____

E-mail _____

Retailer/ web shop _____

Date of purchase _____

Product name _____

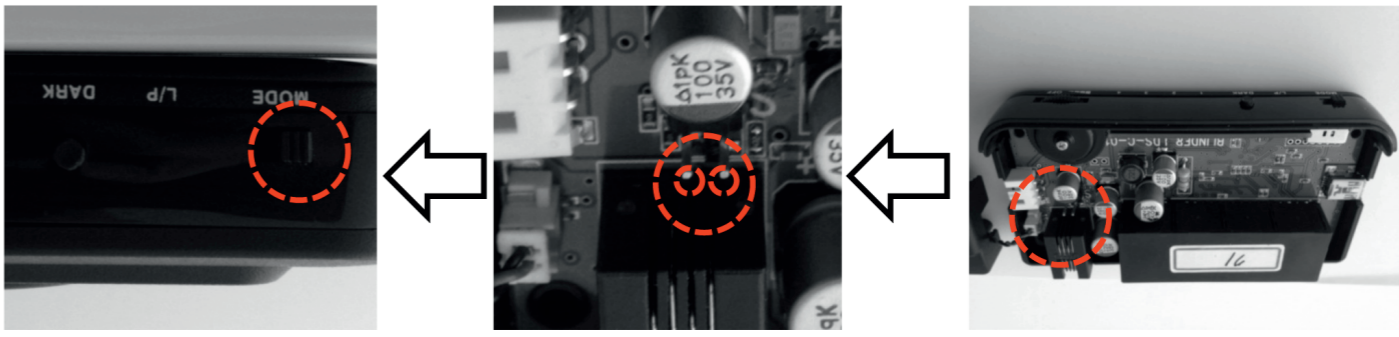
Serial number _____

(Find the serial number on the CPU)

DISABLE Remote switch

Read This First

Remove the 4 philips screws on the back of the CPU.
 This gives access to CPU motherboard
 Insert the small jumper from the cable-kit, on both pins (see picture)
 This procedure makes the remote switch non functional, and disables the receiver mode, and activate the internal mode button.
 The remote switch is now disabled.
 Mode switch on CPU is now parking/ driving mode (defense mode)



BLINDER®



Installation manual
 HP-905 COMPACT SERIES